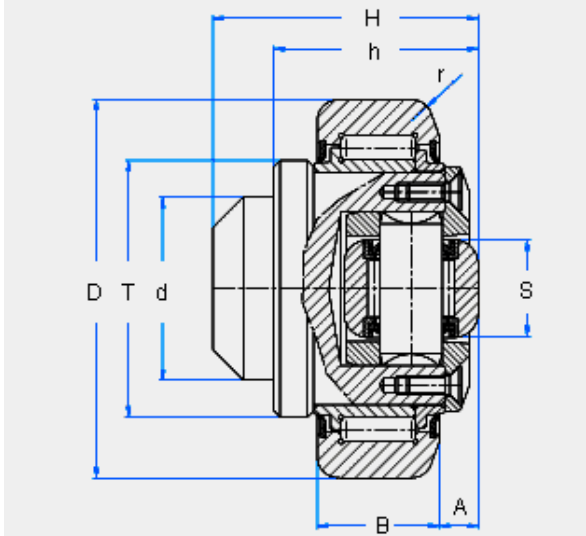


*ADJUSTABLE  
COMBINATION  
BEARING  
CR Series*



Part Number	d mm	T mm	D mm	H mm	h mm	B mm	A mm	S mm	r mm	C KN	Co KN	Ca KN	Coa KN	Weight kgs	Profile Type
CR4.072-62	30	40	62	43	33	20	5.5	16	3	31	35.5	8	8	0.56	2890
CR4.073-70	35	48	70.1	48	40	23	6.5	21	4	45.5	51	14	14	0.85	2867
CR4.074-78	40	54	77.7	51	39.5	23	7	21	4	48	56.8	14	14	1.02	2810
CR4.076-88	45	59	88.4	61	48	30	7	21	3	68	72	15	15	1.69	2811
CR4.078/L	60	71	107.7	73	59	31	8	33	5	81	95	31	36	2.80	2862
CR4.079-123	60	80	123	75.8	59.5	37	8	33	5	110	132	31	36	4.08	2891
CR4.080-149	60	103	149	89	69	45	15	50	5	151	192	68	71	6.70	2757

Other sizes available upon request.

C	Dynamic Load
Co	Static Load
Ca	Axial Dynamic Load
Coa	Axial Static Load
Dr	O.D. on enquiry

NOTE:	The adjustment of dimension "A" is executed by means of insert positioned between the main body of the bearing and housing of the side guide roller. Washers with 0.5 or 1mm thickness are available.
-------	---

NOTE:	Custom, close tolerance outside dimensions are available upon request.
-------	--