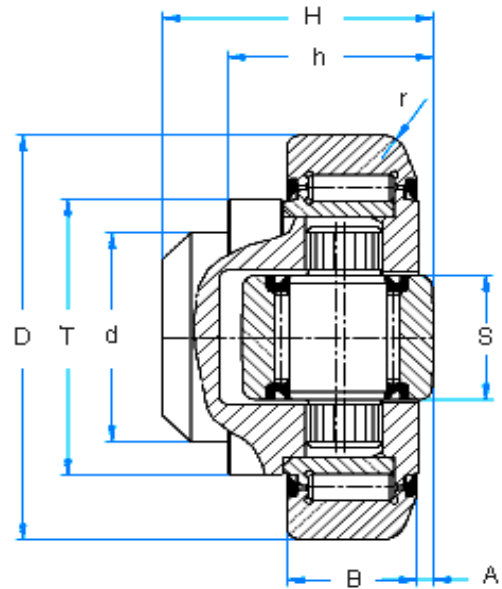


*ADJUSTABLE  
COMBINATION  
BEARING  
With ECCENTRIC PIN*



Part Number	D mm	T mm	D mm	H mm	h min-max mm	B mm	A mm	S mm	r mm	Radial		Axial		Wt kgs	Profile Type
										C KN	Co KN	C KN	Co mm		
4.454	62	42	30	37.5	30.5-32	20	4	20	3	39	65	16	25	0.53	2890
4.455	70.1	48	35	44	36-37.5	23	4	20	4	56	93	16	25	0.8	2867
4.456	77.7	54	40	48	37-38.5	23	3.5	26	4	59	102	23	36	1.00	2810
4.457	78.3	54	40	40	29.30.5	23	3.5	26	4	59	102	23	36	0.87	3019
4.458	88.4	59	45	57	44-44.5	30	4	26	4	85	134	23	36	1.62	2811
4.459	101.2	69	50	46	33-35	26	4.5	30	3	91	140	32	50	1.74	3440
4.460	107.7	69	55	54	40-42	31	4	30	5	100	174	32	50	2.27	3100
4.461	107.7	69	60	69	55-57	31	4	30	5	100	174	32	50	2.28	2862
4.462	123	80	60	72.3	56-60	37	4.5	34	5	135	242	41	72	3.60	2891
4.463	149	108	60	78.5	58.5-62.5	45	6	34	3	183	353	41	72	6.30	2757

Other sizes available upon request.

C	Dynamic Load
Co	Static Load