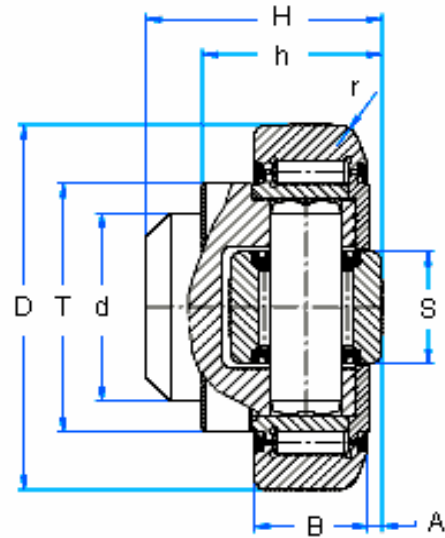


STANDARD
COMBINATION
BEARING
CF Series



Part Number	d mm	T mm	D mm	H mm	h mm	B mm	A mm	S mm	r mm	C KN	Co KN	Ca KN	Coa KN	Weight kgs	Profile Type
CF4.053*	30	40	52.5	33	27	17	5	15	2	24	33	10	14	0.46	53U
CF4.054-62*	30	42	62	37.5	30.5	20	2.5	20	3	31	35.5	11.1	11.5	0.53	2890
CF4.055-70	35	48	70.1	44	36	23	2.5	22	4	45.5	51	14	13	0.80	2867
CF4.056-78	40	54	77.7	48	36.5	23	3	26	4	48	56.8	18	18	1.00	2810
CF4.058-88	45	59	88.4	57	44	30	3.5	26	3	68	72	23	23	1.62	2811
CF4.061-108	60	71	107.7	69	55	31	4	34	5	81	95	31	36	2.82	2862
CF4.062-123	60	80	123	72.3	56	37	5	40	5	110	132	43	50	3.89	2891
CF4.063-149	60	108	149	78.5	58.8	45	5.5	50	3	151	192	68	71	6.52	2757
CF4.011-149	60	108	149	86	67	45	5.5	50	3	151	192	68	71	6.55	2757

*without lubrication

Other sizes available upon request.

C	Dynamic Load
Co	Static Load
Ca	Axial Dynamic Load
Coa	Axial Static Load
Dr	O.D. on enquiry

NOTE:	Bearings are available with Chromium plating by special order. Custom, close tolerance outside dimensions are available upon request.
-------	------------------------------------------------------------------------------------------------------------------------------------------