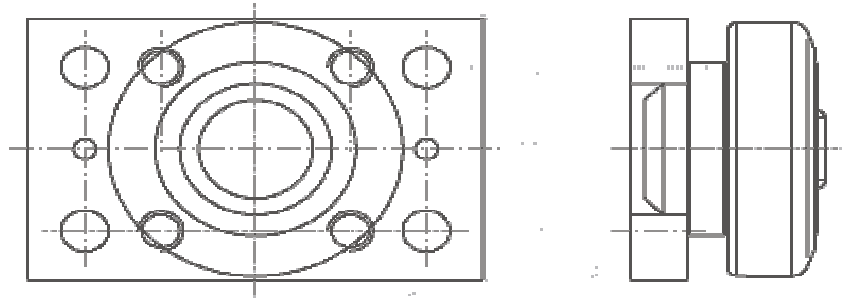


FLANGE WELDMENTS

FW Series



Flange weldments allow "weld-free" bearing installation at the jobsite. They are shipped with the bearing pre-welded to the plate and become a "bolt-on" adder for your handling unit. Flange weldments then allow for easy adjustment by simply loosening the attaching bolts and slipping a shim set behind the plate and re-tightening. Shims are available in 1.0mm and 0.5mm thicknesses.

