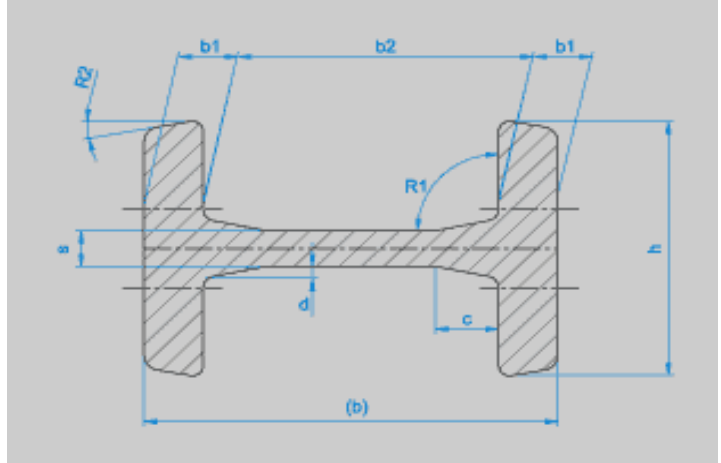


LIFT GUIDES "I" PROFILE

stocked in 6M lengths
cutting available by request
(longer lengths available by special order only
and minimum order applies)



Part Number	(b) mm	b1 mm	b2 mm	h mm	h1 mm	c mm	d mm	t mm	r1	r2	Wx Cm3	Wt Kg/m	Wt lb/ft
3018*	98	14	70	65	9	15	3	11.5	91°+1°	10°	19.4	70	13
3019*	113.9	18	77.9	66	11	15	3	14.5	91°+1°	10°	102	25.3	17
3275*	129.6	20.5	88.6	72	12	15	3	15	91°+1°	10°	143	31.2	21
3020*	129.6	18.96	88.6	81	12	15	3	15	91°+1°	10°	160	34	22.9
3440	139.7	21.3	101.9	69.9	12.7	15	3	15	91°+1°	0°	156.6	31	20.8
3100	152.4	22	108.4	83	14	20	3	15	91°+1°	12°	220	40.8	27.4
3353*	175	25.6	123.8	90	15	20	5	20	91°+1°	5°	322	51.4	34.6

*special order only - minimum order applies

b1	±0.5 (except 3440 - ±0.8)
b2	+1 (except 3440 - ±0.8, 3100 & 3353 - ±0.5)
h	+1 (except 3275 & 3020 - ±1.25, 3440 - +1.6, 3353 - ±1.3)
h1	±0.5 (except 3440 - ±0.8)

