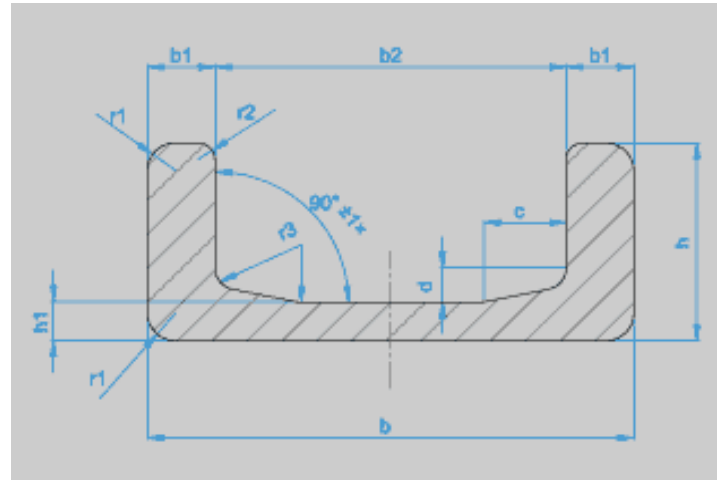


LIFT GUIDES "U" PROFILE

stocked in 6M lengths
cutting available by request
(longer lengths available by special order only
and minimum order applies)



Part Number	(b) mm	b1 mm	b2 mm	h mm	h1 mm	c mm	d mm	r1	r2	r3	Wx Cm3	Wt Kg/m	Wt lb/ft
53U	SEE BELOW FOR DIMENSIONS										12	5.3	3.6
2890	86.5	12	62.5	36	7	15	3	≤6	2-3	4	30	10.5	7.1
2867	103.2	16.2	70.8	40	7.7	15	3	≤6	2-3	5	50	14.8	10
2810	121.3	21.3	78.7	41	10.8	15	5	≤6	2-3	5	80	20.9	14.1
2811	135.4	23	89.4	53	12.7	15	5	≤6	2-3	5	130	28.6	19.2
2862	157.2	24.4	108.4	61.2	14	15	5	≤6	2-3	5	190	36	24.2
2891	175	25.6	123.8	66.2	16.2	15	5	≤6	2-3	5	250	42.8	28.8
2757	201.5	25.7	150.1	71.2	19.4	20	5	3-8	2-3	6	340	52.3	35.2

b1	±0.5
b2	±0.5 (except 2890 - +1)
h	±0.8
h1	±0.5

Part Number		53U
Wx	cm3	11.9
Weight	Kg/m	5.3
Weight	lb/ft	3.4

