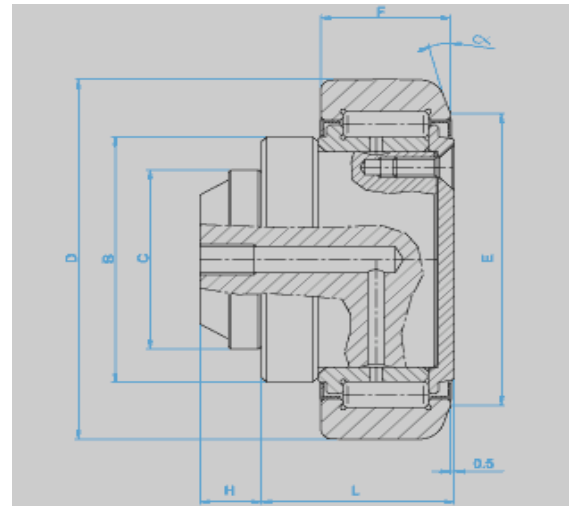


**RADIAL
BEARING
RP Series**



Part Number	C mm	B mm	D mm	L mm	F mm	H mm	E mm	α	C KN	Co KN	Profile Type
RP2.0856-62	25	42	62	23.5	20	7	50	20°	31	35.5	2890
RP2.0363-62	30	42	62	29.5	20	7	50	20°	31	35.5	2890
RP2.0360-70	35	48	70.1	33.5	23	8.2	57	20°	45.5	51	2867
RP2.0361-78	40	54	77.7	33.2	23	11.5	61	20°	48	56.8	2810
RP2.0448-88	45	59	88.9	41	30	13	68	20°	68	72	2811
RP2.1641-108	55	69	107.7	35	31	14	82	20°	81	95	3100
RP2.1641-1	60	69	107.7	50.5	31	14	82	20°	81	95	2862
RP2.1642-123	60	79	123	51.5	37	16.3	92	20°	110	132	2891
RP2.1643-149	60	103	149	54	43	20	116	15°	151	192	2757

C	Dynamic Load
Co	Static Load