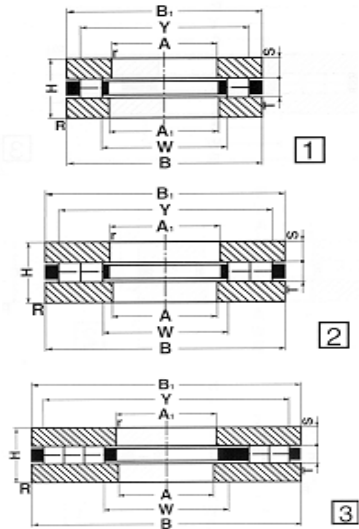


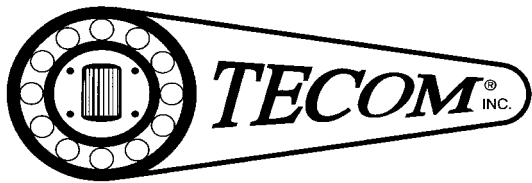
ROLLER THRUST BEARINGS IMPERIAL SIZES

Inside Diameters
1in to 5in



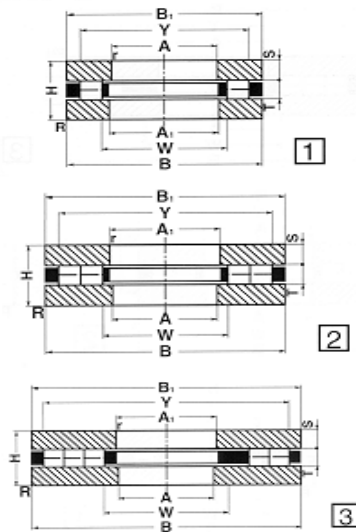
Part Number		A		B		H		T	S	R	r	A1	B1	W	Y	C	Co	RPM	Type
		mm	inch	mm	inch	mm	inch	mm	mm	mm	mm	mm	mm	mm	mm	KN	KN		
I 3.0101	T 601	25.4	1	53.97	2.125	20.62	0.812	9	5.81	1	1	26	53	28	51	55	58	7800	1
I 3.0102	T 602	26.97	1.062	53.97	2.125	20.62	0.812	9	5.81	1	1	27.5	53	29.5	51	55	58	7400	1
I 3.0103	T 603	28.58	1.125	57.15	2.25	20.62	0.812	9	5.81	1	1	29.3	56	31	54	60	64	7000	1
I 3.0104	T 604	30.15	1.187	57.15	2.25	20.62	0.812	9	5.81	1	1	31	56	32.5	54	60	64	6600	1
I 3.0105	T 605	31.75	1.25	60.33	2.375	20.62	0.812	9	5.81	1	1	32.25	59	34	55	62	72	6300	1
I 3.0106	T 606	33.32	1.312	60.33	2.25	20.62	0.812	9	5.81	1	1	34	59	36	57	62	72	6000	1
I 3.0107	T 607	34.92	1.375	73.02	2.875	20.62	0.812	9	5.81	1	1	37	71	37.5	70	91	130	4500	1
I 3.0108	T 608	36.5	1.437	73.02	2.875	20.62	0.812	9	5.81	1	1	38.5	71	39	70	91	130	4300	1
I 3.0109	T 609	38.1	1.5	76.2	3	20.62	0.812	9	5.81	1	1	40	74.2	40.5	73	99	140	4200	1
I 3.0110	T 610	39.67	1.562	76.2	3	20.62	0.812	9	5.81	1	1	41.6	74.2	42	73	99	140	4000	1
I 3.0111	T 611	41.27	1.625	82.55	3.25	25.4	1	12	6.7	1	1	42.7	83.7	44	82	142	188	4300	2
I 3.0112	T 612	42.84	1.687	82.55	3.25	25.4	1	12	6.7	1	1	44.8	80.5	45.5	79	142	188	4200	2
I 3.0113	T 613	44.45	1.75	85.72	3.375	25.4	1	12	6.7	1	1	45.9	83.7	47	82	126	164	3800	2
I 3.0114	T 614	46.02	1.812	85.72	3.375	25.4	1	12	6.7	1	1	48	83.7	49	82	126	164	3500	2
I 3.0115	T 615	47.62	1.875	88.9	3.5	25.4	1	12	6.7	1	1	49.7	87	50.5	85	149	205	3400	2
I 3.0116	T 616	49.2	1.937	88.9	3.5	25.4	1	12	6.7	1	1	51	87	53	85	145	200	3200	2
I 3.0117	T 617	50.8	2	92.07	3.625	25.4	1	12	6.7	1	1	53	90.02	54.5	88	144	198	3100	2
I 3.0118	T 618	53.97	2.125	95.25	3.75	25.4	1	12	6.7	1	1	56	93.3	58	90	154	214	2900	2
I 3.0119	T 619	57.15	2.25	98.42	3.875	25.4	1	12	6.7	1	1	59	96.5	62	93	154	214	2800	2
I 3.0120	T 620	60.32	2.375	101.6	4	25.4	1	12	6.7	1	1	62.3	99.8	64	96	159	220	2650	2
I 3.0121	T 621	63.5	2.5	104.8	4.126	25.4	1	12	6.7	1	1	65.5	106	68	102	159	220	2500	2
I 3.0122	T 622	66.67	2.625	110.31	4.343	25.4	1	12	6.7	1	1	68.6	108.5	71	105	177	264	2400	2
I 3.0123	T 623	69.85	2.75	113.48	4.468	25.4	1	12	6.7	1	1	71.8	111.5	75	108	177	264	2300	2
I 3.0124	T 624	76.2	3	119.84	4.718	25.4	1	12	6.7	1	1	78	117.8	81	113	177	264	2100	2
I 3.0125	T 625	82.55	3.25	126.19	4.968	25.4	1	12	6.7	1	1	84.5	124	87	120	179	297	1900	2
I 3.0023	T 626	88.9	3.5	132.54	5.218	25.4	1	12	6.7	1	1	91	130.5	94	126	179	297	1800	2
I 3.0016	T 727	50.8	2	152.4	6	34.93	1.375	16	9.465	1.5	1.5	52	151	141	62	330	810	1100	2
I 3.0017	T 728	50.8	2	177.8	7	34.93	1.375	16	9.465	1.5	1.5	52	176	164	65	394	986	900	3
I 3.0018	T 729	50.8	2	203.2	8	34.93	1.375	16	9.465	1.5	1.5	52	201.7	187	67	505	1300	800	3
I 3.0019	T 730	76.2	3	152.4	6	34.93	1.375	16	9.465	1.5	1.5	77.5	151	143	86	335	730	1100	2
I 3.0020	T 731	76.2	3	177.8	7	34.93	1.375	16	9.465	1.5	1.5	77.5	176	167	87	466	971	900	2
I 3.0021	T 732	76.2	3	203.2	8	34.93	1.375	16	9.465	1.5	1.5	77.5	201.7	189	90	515	1260	800	2
I 3.0022	T 733	76.2	3	228.6	9	34.93	1.375	16	9.465	1.5	1.5	77.5	227	213	92	630	1740	700	3
I 3.0024	T 734	101.6	4	177.8	7	44.45	1.75	18	13.225	1.5	1.5	103	176	168	111	430	1165	900	
I 3.0025	T 735	101.6	4	203.2	8	44.45	1.75	18	13.225	1.5	1.5	103	201.7	191	114	590	1320	800	2
I 3.0026	T 736	101.6	4	228.6	9	44.45	1.75	18	13.225	1.5	1.5	103	227	214	116	600	1610	700	2
I 3.0027	T 737	101.6	4	254	10	44.45	1.75	18	13.225	1.5	1.5	103	252.5	238	117	857	2170	600	3
I 3.0028	T 738	127	5	203.2	8	44.45	1.75	18	13.225	1.5	1.5	128.5	201.7	191	140	670	1310	800	2
I 3.0029	T 739	127	5	228.6	9	44.45	1.75	18	13.225	1.5	1.5	128.5	227	216	140	721	1660	700	2
I 3.0030	T 740	127	5	254	10	50.8	2	22	14.4	2	2	128.5	252.5	240	141	800	2050	600	2
I 3.0031	T 741	127	5	279.4	11	50.8	2	22	14.4	2	2	128.5	278	262	144	975	2640	550	2
I 3.0032	T 742	127	5	304.8	12	50.8	2	22	14.4	2	2	128.5	303	289	146	1187	3190	500	3

C	Dynamic Load
Co	Static Load



ROLLER THRUST BEARINGS IMPERIAL SIZES

Inside Diameters
6in to 22in



Part Number		A		B		H		T	S	R	r	A1	B1	W	Y	C	Co	RPM	Type
		mm	inch	mm	inch	mm	inch	mm	mm	mm	mm	mm	mm	mm	mm	KN	KN		
I 3.0033	T 743	152.4	6	228.6	9	50.8	2	22	14.4	2	2	154	227	217	164	599	1279	700	1
I 3.0034	T 744	152.4	6	254	10	50.8	2	22	14.4	2	2	154	252.5	241	165	856	1857	600	2
I 3.0035	T 745	152.4	6	279.4	11	50.8	2	22	14.4	2	2	154	278	265	167	980	2590	550	2
I 3.0036	T 746	152.4	6	304.8	12	50.8	2	22	14.4	2	2	154	303	287	170	1098	2857	500	2
I 3.0037	T 747	177.8	7	254	10	50.8	2	22	14.4	2	2	180	251.6	243	189	642	1495	600	1
I 3.0038	T 748	177.8	7	279.4	11	50.8	2	22	14.4	2	2	180	278	267	191	924	2260	550	2
I 3.0039	T 749	177.8	7	304.8	12	50.8	2	22	14.4	2	2	180	303	289	194	1030	2983	500	2
I 3.0040	T 750	177.8	7	355.6	14	76.2	3	35	20.604	3	3	180	353	335	198	1673	4178	450	2
I 3.0041	T 751	203.2	8	304.8	12	76.2	3	35	20.604	3	3	205.5	303	292	216	1175	2520	500	1
I 3.0042	T 752	203.2	8	355.6	14	76.2	3	35	20.604	3	3	205.5	353	337	222	1683	3914	450	2
I 3.0043	T 753	203.2	8	406.4	16	76.2	3	35	20.604	3	3	205.5	404	383	227	2153	5660	400	3
I 3.0044	T 754	254	10	406.4	16	76.2	3	35	20.604	3	3	256.5	404	387	273	1720	4450	400	2
I 3.0045	T 755	254	10	457.2	18	95.25	3.75	43	26.125	4	4	256.5	455	453	276	2470	6815	350	3
I 3.0046	T 756	254	10	508	20	95.25	3.75	43	26.125	4	4	256.5	505.5	481	281	3580	8253	320	3
I 3.0047	T 757	304.8	12	457.2	18	95.25	3.75	43	26.125	4	4	308	455	438	324	2260	6100	350	2
I 3.0048	T 758	304.8	12	508	20	114.3	4.5	50	32.15	4	4	308	506	484	329	2670	7325	300	2
I 3.0049	T 759	304.8	12	609.6	24	114.3	4.5	50	32.15	4	4	307	607	584	330	4182	9733	260	3
I 3.0050	T 760	355.6	14	508	20	95.25	3.75	43	26.125	4	4	359	505	489	375	2564	6940	320	2
I 3.0051	T 761	355.6	14	558.8	22	95.25	3.75	43	26.125	4	4	359	556	535	379	3425	9415	290	2
I 3.0052	T 762	355.6	14	609.6	24	95.25	3.75	43	26.125	4	4	359	607	581	384	3810	12460	260	3
I 3.0053	T 763	406.4	16	558.8	22	114.3	4.5	50	32.15	4	4	410	556	540	425	2903	6134	290	2
I 3.0054	T 764	406.4	16	609.6	24	114.3	4.5	50	32.15	4	4	410	607	586	430	3359	10137	260	2
I 3.0055	T 765	406.4	16	660.4	26	114.3	4.5	50	32.15	4	4	410	657	633	433	4463	14020	240	2
I 3.0056	T 766	457.2	18	660.4	26	127	5	56	35.5	4	4	460	657	635	483	3861	11458	240	2
I 3.0057	T 767	457.2	18	711.2	28	127	5	56	35.5	4	4	460	708	684	484	5090	14720	225	2
I 3.0058	T 768	457.2	18	762	30	139.7	5.5	64	37.85	4	4	460	759	735	484	5430	19500	210	3
I 3.0059	T 769	508	20	711.2	28	139.7	5.5	64	37.85	4	4	511	708	686	533	4080	12180	225	2
I 3.0060	T 770	508	20	762	30	139.7	5.5	64	37.85	4	4	511	756	737	533	5348	16604	210	2
I 3.0061	T 771	508	20	812.8	32	152.4	6	68	42.2	4	4	511	810	787	533	7260	20690	200	2
I 3.0062	T 772	558.8	22	762	30	139.7	5.5	64	37.85	4	4	562	759	737	584	5570	14430	210	2
I 3.0063	T 773	558.8	22	812.8	32	139.7	5.5	64	37.85	4	4	562	810	783	589	5763	19060	200	2
I 3.0064	T 774	558.8	22	863.6	34	152.4	6	68	42.2	4	4	562	861	838	584	7400	24100	185	2

C	Dynamic Load
Co	Static Load