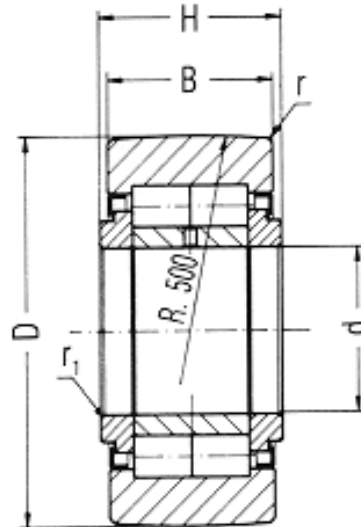
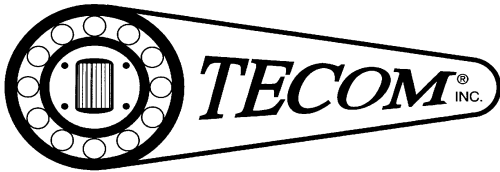


**TRACK  
ROLLERS**  
*NUTR Series*

Inside Diameters  
20mm to 90mm



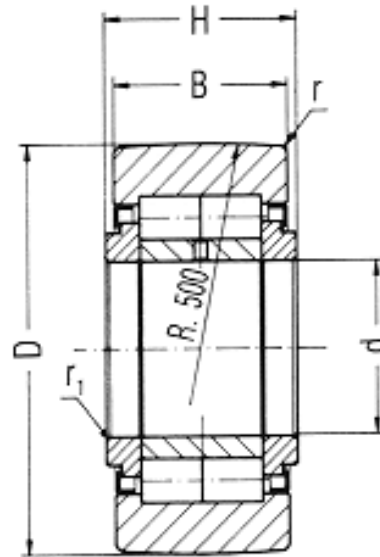
Part Number	d mm	D mm	B mm	H mm	r1 mm	r mm	C KN	Co KN	Max. Speed rpm
20-47	20	47	24	25	0.5	1.5	37	32.8	4000
20-52	20	52	24	25	0.5	1.5	37	32.8	4000
25-52	25	52	24	25	0.5	1.5	41.85	38	3200
25-62	25	62	24	25	0.5	1.5	41.85	38	3200
30-62	30	62	28	29	0.5	1.5	50.8	45.6	2500
30-72	30	72	28	29	0.5	1.5	50.8	45.6	2500
35-72	35	72	28	29	1	2	55.25	51.8	2100
35-80	35	80	28	29	1	2	55.25	51.8	2100
40-80	40	80	30	32	1	2	77.5	75.6	1700
40-90	40	90	30	32	1	2	77.5	75.6	1700
45-85	45	85	30	32	1	2	81	81.65	1520
45-100	45	100	30	32	1	2	81	81.65	1520
50-90	50	90	30	32	1	2	85.5	87.7	1400
50-110	50	110	30	32	1	2	85.5	87.7	1400
55-100	55	100	34	36	1	2	105	115	1310
55-120	55	120	34	36	1	2	105	115	1310
60-110	60	110	34	36	1.5	2.5	114	120	1230
60-130	60	130	34	36	1.5	2.5	114	120	1230
65-120	65	120	40	42	1.5	2.5	151	158	1150
65-140	65	140	40	42	1.5	2.5	151	158	1150
70-125	70	125	40	42	1.5	2.5	157.5	164	1060
70-150	70	150	40	42	1.5	2.5	157.5	164	1060
75-130	75	130	40	42	1.5	2.5	161	186	1000
75-160	75	160	40	42	1.5	2.5	161	186	1000
80-140	80	140	46	48	1.5	2.5	179	216	920
80-170	80	170	46	48	1.5	3	179	216	920
85-150	85	150	46	48	1.5	3	205	240	840
85-180	85	180	46	48	1.5	3	205	240	840
90-160	90	160	52	54	2	3	272	294	770
90-190	90	190	52	54	2	3	272	294	770



Workrolls ♦ Backup Rollers  
Cylindrical Roller Bearings

**TRACK  
ROLLERS**  
*NUTR Series*

Inside Diameters  
95mm to 150mm



Part Number	d mm	D mm	B mm	H mm	r1 mm	r mm	C KN	Co KN	Max. Speed rpm
95-170	95	170	52	54	2	3	285	312	700
95-200	95	200	52	54	2	4	285	312	700
100-180	100	180	63	65	2	3	364	428	630
100-215	100	215	63	65	2	4	364	428	630
110-200	110	200	63	65	2.5	4	390	447	580
110-240	110	240	63	65	2.5	4	390	447	580
120-215	120	215	63	65	2.5	4	430	460	550
120-260	120	260	63	65	2.5	5	430	460	550
130-230	130	230	75	78	3	4	532	600	520
130-280	130	280	75	78	3	5	532	600	520
140-250	140	250	75	78	3	5	592	647	500
140-300	140	300	75	78	3	5	592	647	500
150-270	150	270	75	78	3	5	631	721	460
150-320	150	320	75	78	3	5	631	721	460

C	Dynamic Load
Co	Static Load

**TECOM Inc.**  
205 St. George Street, Unit 5, Lindsay, Ontario, Canada  
T: 705 878 3650 – F: 705 878 5019  
[www.crbearing.com](http://www.crbearing.com)